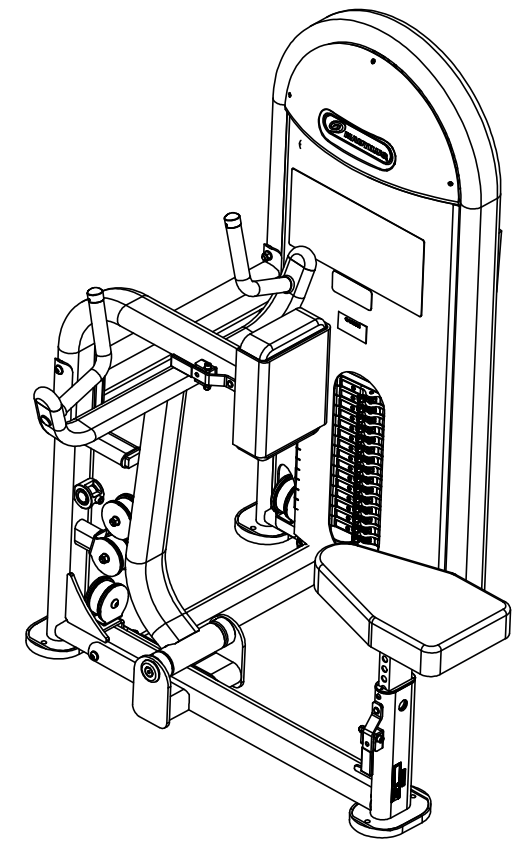
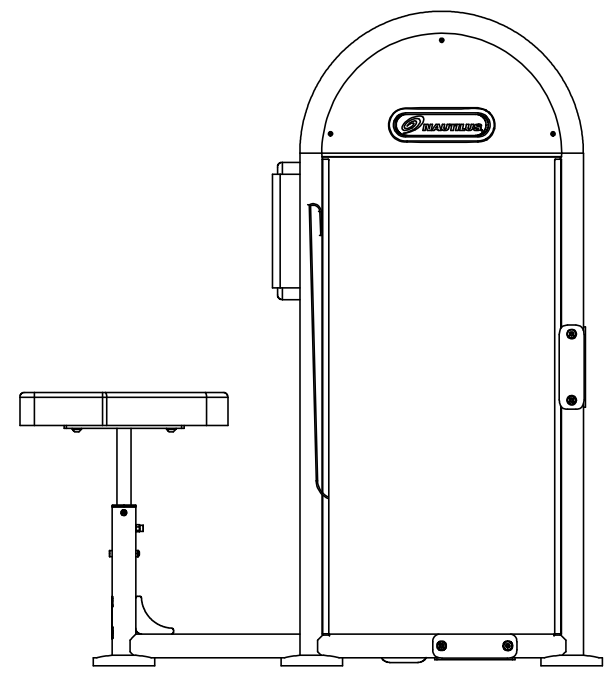
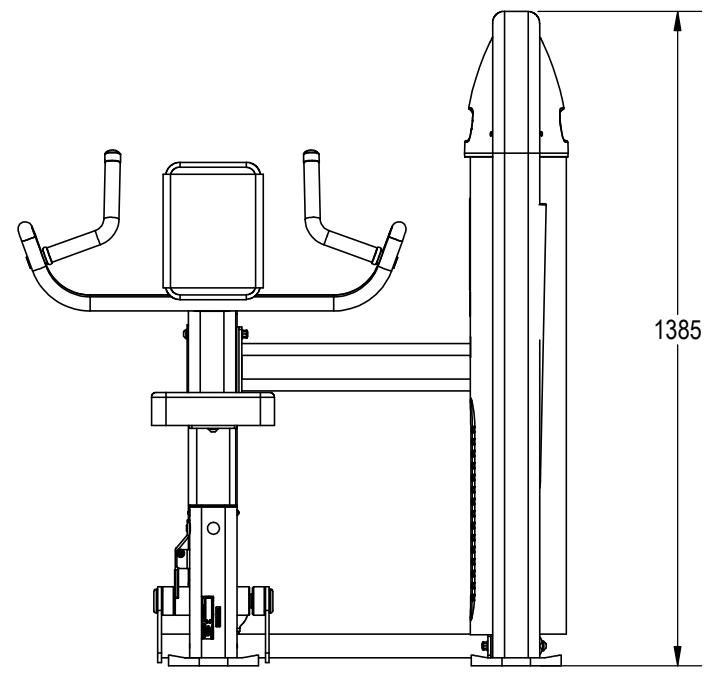
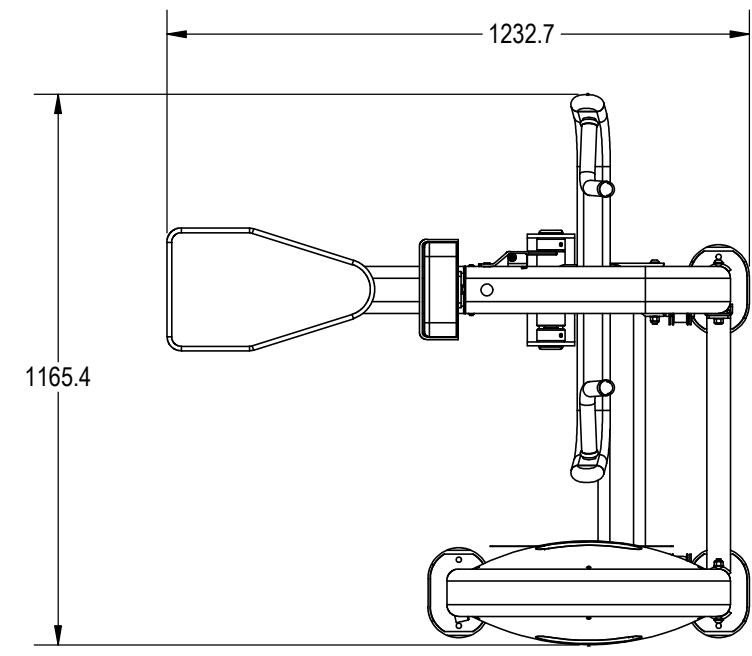


- NOTES:
1. ASSEMBLE AND INSPECT PER SOP 620-7918..
 2. INSTALL Kg STICKER AND AFFIX Lb STICKER TO INSIDE OF SHROUD WITH TAPE.
 3. COLOR DICTATED BY THE SALES ORDER. REFERENCE THE MACHINES BOM FOR COMPONENTS CONTAINING -XX, -00XX AND -XXXXX.
 - a. COLOR: -XX COLOR DESIGNATOR AS SPECIFIED IN SOP 620-8222.
 - b. THE -XX CAN RESULT IN ONE COLOR FOR THE METAL SHROUD AND A DIFFERENT COLOR FOR THE METAL FRAME ALSO WITH A -XX LISTED ON THE BOM.
 - c. THE -00XX IS THE COLOR DESIGNATOR FOR UPHOLSTERY.
 - d. THE 5TH DESIGNATOR: "X" WITHIN -XXXXX DEFINES THE HEAD STRAP OR CUSTOM PRODUCTS BRAND. THIS IS SPECIFIED ON SALES ORDERS.
 - e. THE -XXXXX IS CREATED BY COMBINING THE -XX, -00XX AND THE 5TH DESIGNATOR.
 - f. ALL X'S SHOULD BE DEFINED ON THE SALES ORDER.

REVISIONS HISTORY				
REV.	DATE	DESCRIPTION	ECO	BY
A	8/3/2016	INITIAL RELEASE	15479	AM



DOCUMENT STATUS:

NOTICE OF PROPRIETARY INFORMATION
THIS DOCUMENT SHALL NOT BE REPRODUCED NOR SHALL THE INFORMATION CONTAINED HEREIN BE USED BY OR DISCLOSED TO OTHER EXCEPT AS EXPRESSLY AUTHORIZED BY CORE HEALTH & FITNESS, LLC.

CLASS OF WORK	UNLESS OTHERWISE SPECIFIED DIMS ARE IN mm. TOLERANCES FOR MEASURE OF LENGTH ARE:							ANGLES = ±2°		
	0.5 to 3	> 3 to 6	> 6 to 30	> 30 to 120	> 120 to 400	> 400 to 1000	> 1000 to 2000	> 2000		
FINE	±0.05	±0.05	±0.1	±0.15	±0.2	±0.3	±0.5	----		
MEDIUM X	±0.1	±0.1	±0.2	±0.3	±0.5	±0.8	±1.2	±2		
COARSE	±0.2	±0.3	±0.5	±0.8	±1.2	±2	±3	±4		
VERY COARSE	----	±0.5	±1	±1.5	±2.5	±4	±6	±8		

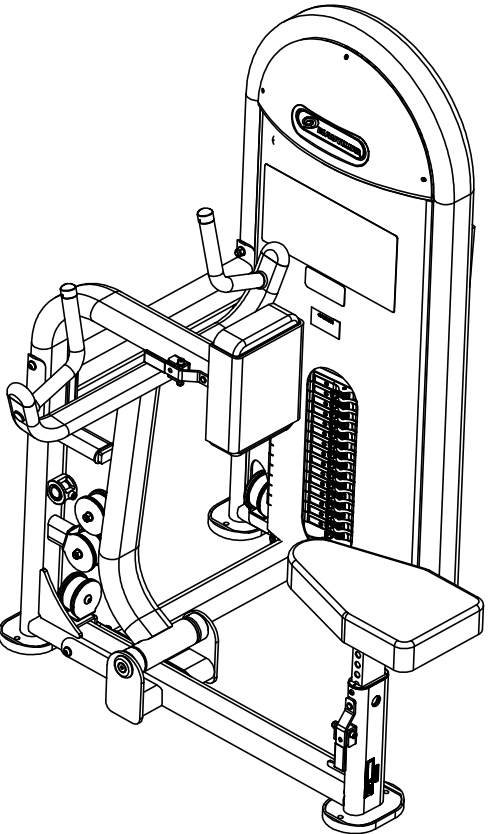
MATERIAL SEE BOM	
FINISH SEE NOTES	
VENDOR: N/A	P/N: N/A

THIRD ANGLE PROJECTION		
DRAWN	INITIAL AM	DATE 8/3/16
CHECKED		
APPROVED		
	U.O.M.	MM

CORE HEALTH & FITNESS, LLC 4400 NE 77th Ave., Suite 300 Vancouver, WA 98662		
CORE PART NO	REV	
NL-S3320-29AGS	A	
TITLE NL,SSS,VERTICAL ROW		
SCALE: 1:25	SHEET 1 OF 3	SHEET SIZE: B

9		8		7		6		5		4		3		2		1	
ITEM NO.		PART NUMBER		DESCRIPTION		QTY.		ITEM NO.		PART NUMBER		DESCRIPTION		QTY.			
J	1	050-5457		Label, S/N, Non-Powered, Primary, Core H&F		1		45	730-1138			SCREW,M8X20,BHC,SS		6			J
	2	730-0216		PAD,FOOT,FRAME,WELDED		4		51	730-1155			SCREW, 10-32X3.2, SET		4			I
	3	730-0233		SHROUD,REAR,IN-S5100		1		47	730-1256			HANDLE,SLEEVE,IN-S3320		2			
	4	730-0236		PIN, BELT ANCHOR		2		48	730-1333			SHROUD,LNL,S3320		1			
I	5	730-0237		SCREW, M10x30, SHS,SS		2		49	730-1400			WSA-LNL,225LB,15H		1			
	6	730-0292		CAP, ARMS, IN-S2100		2		50	730-1478			ASSY, ARM, S3320		1			I
	7	730-0299		PAD,SEAT,IN-D3340		1		51	730-1479			ASSY, CHEST PAD, ADJUSTMENT		1			
	8	730-0318		ASSY, CHEST PAD, IN-S3320		1		52	730-1491			LABEL,INSTRUCTIONS,LOCK N LOAD		1			
	9	730-0385		LABEL,CAUTION,PINCH POINT		1		53	730-1492			HEAD STRAP, NL-S3320		1			
H	10	730-0562		BUMPER,STACK,60MM		2		54	730-7229-XXX			STICKER, PLACARD, INSTRUCTION, LLVR, NAUT.		1			H
	11	730-0565		CAP, END, HANDLE		2		55	731-0335			STICKER, MADE IN CHINA, IP		1			
	12	730-0656		CAP,50MM OD		2		56	731-7311			STICKER,NAUTILUS,DECO,45MMX191MM		2			
	13	730-0662		WEIGHT STACK,GUIDE RAIL		2											
	14	730-0673		ISO 15 RBB - 1025 - 14,SI,NC,14_68		2											
G	15	730-0702		SHROUD,UPPER		2											G
	16	730-0704		CAP, 25MM, ALUMINUM		2											
	17	730-0721		PULLEY, 75MM		6											
	18	730-0755		WEIGHT STACK,FRAME		1											
F	19	730-0756		ASSY,MAIN FRAME		1											F
	20	730-0759		CROSSBEAM,UPPER,FRAME		1											
	21	730-0761		SEAT POST,ADJUSTMENT,EXTENSION		1											
	22	730-0778		BELT, 15.5 FT LONG		1											
E	23	730-0840		CROSSBEAM,LOWER,FRAME		1											E
	24	730-0845		SHROUD,MOUNTING,U-STYLE,CLIP		6											
	25	730-0846		SHAFT,25MM X 234		1											
	26	730-0858		BUMPER, 45X25		1											
	27	730-0870		SCREW,M10X25,FHM,HK,SS		2											
D	28	730-0885		NUT,M6,JAM,HEX,SS		4											D
	29	730-0891		SCREW, M8X30, SHS,SS		2											
	30	730-0892		SCREW,M8X55,SHS,SS		2											
	31	730-0896		SCREW,M8X16,SET,SS		4											
	32	730-0899		SCREW,M6X12,BHC,SS		4											
C	33	730-0908		WASHER,M10,FLAT,SS		34											C
	34	730-0910		WASHER,M8,BELLEVILLE,SS		10											
	35	730-0911		ADJUSTMENT,HANDLE,COMPRESSION SPING		2											
	36	730-0930		ASSY,EXTENSION,ADJUSTMENT,HANDLE		2											
	37	730-0935		ASSY,ADJUSTMENT,HANDLE,END,SLEEVE		2											
B	38	730-0936		ASSY,TUBE,INSERT,SLEEVE		4											B
	39	730-1103		NUT,M8,NYLON PATCH,SS		2											
	40	730-1104		NUT,M10,NYLON PATCH,SS		14											
	41	730-1112		SCREW, M10x130, BH, SS		8											
	42	730-1118		SCREW, M10, BHC, HK, SS		2											
	43	730-1119		SCREW, M10x35, BH, SS		4											
A	44	730-1122		SCREW,M10X63,BHC,SS		6											A

REPLACEMENTS				
Item	StartTrac p/n	Description	Inray p/n	Qty
1	730-0216	PAD,FOOT,FRAME,WELDED	IN-B75030900	4
7	730-0318	ASSY,CHEST PAD,IN-S3320	IN-S33201500	1
6	730-0299	PAD,SEAT,IN-D3340	IN-S33201100	1
2	730-0233	SHROUD,REAR,IN-S5100	IN-S10121500	1
49	730-1070	SHROUD,ELONGATE,INNER	IN-S33200900	1
			IN-D10132800	1
16	730-0228	KIT, UPPER SHROUD	PNLM8*20A2-70	3
			GB958A2-70	3
			IN-B72011700	2
39	730-0213	KIT, SEAT SLEEVE, IN-B7502	GB41M6A2-70	2
			GB818M6*12A2-70	2
			IN-B72010600	1
			IN-B72011400	1
	730-0251	KIT ADJUSTMENT HANDLE, IN-D1014	HF1642303	1
			GB70M8*55A2-70	1
37			GB958A2-70	2
			IN-B72001200	1
17	730-0151	ASSY ENDCAP, 25.4MM, ALUM	YZGB7710-32*3.2DS2	2
			SLEEVE RUBBER	2 FT
			IN-S21002800	15.5 FT
	730-0215	KIT, BELT REPLACEMENT	IN-S10121700	2
23			GB70M10*30A2-70	1
N/A	730-0189	KIT, HARDWARE, IN-S5110	N/A	n/a

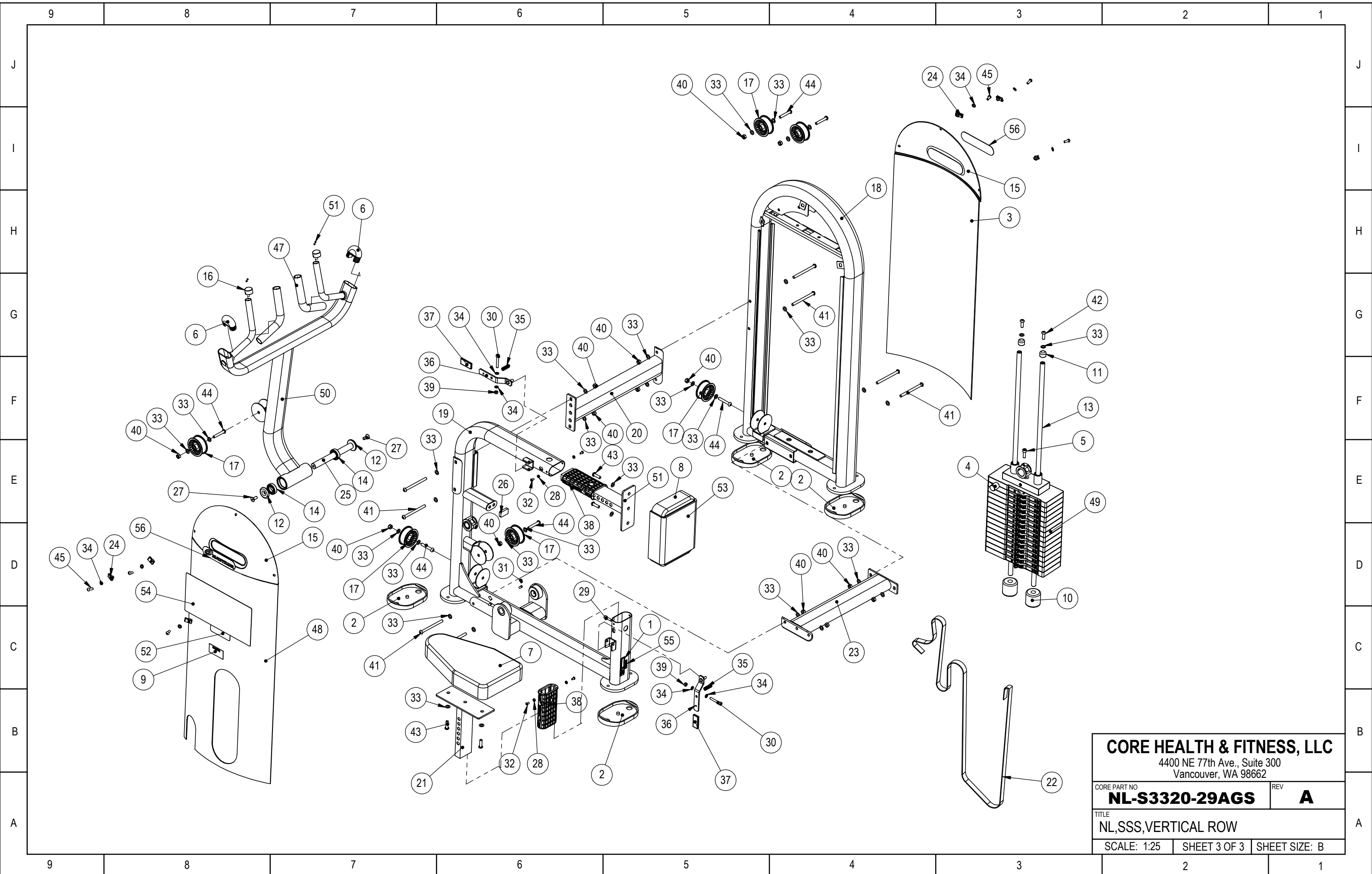


CORE HEALTH & FITNESS, LLC
 4400 NE 77th Ave., Suite 300
 Vancouver, WA 98662

CORE PART NO **NL-S3320-29AGS** REV **A**

TITLE **NL,SSS,VERTICAL ROW**

SCALE: 1:25 SHEET 2 OF 3 SHEET SIZE: B



CORE HEALTH & FITNESS, LLC
 4400 NE 77th Ave., Suite 300
 Vancouver, WA 98662

CORE PART NO. **NL-S3320-29AGS** REV **A**

TITLE **NL,SSS,VERTICAL ROW**

SCALE: 1:25 SHEET 3 OF 3 SHEET SIZE: B